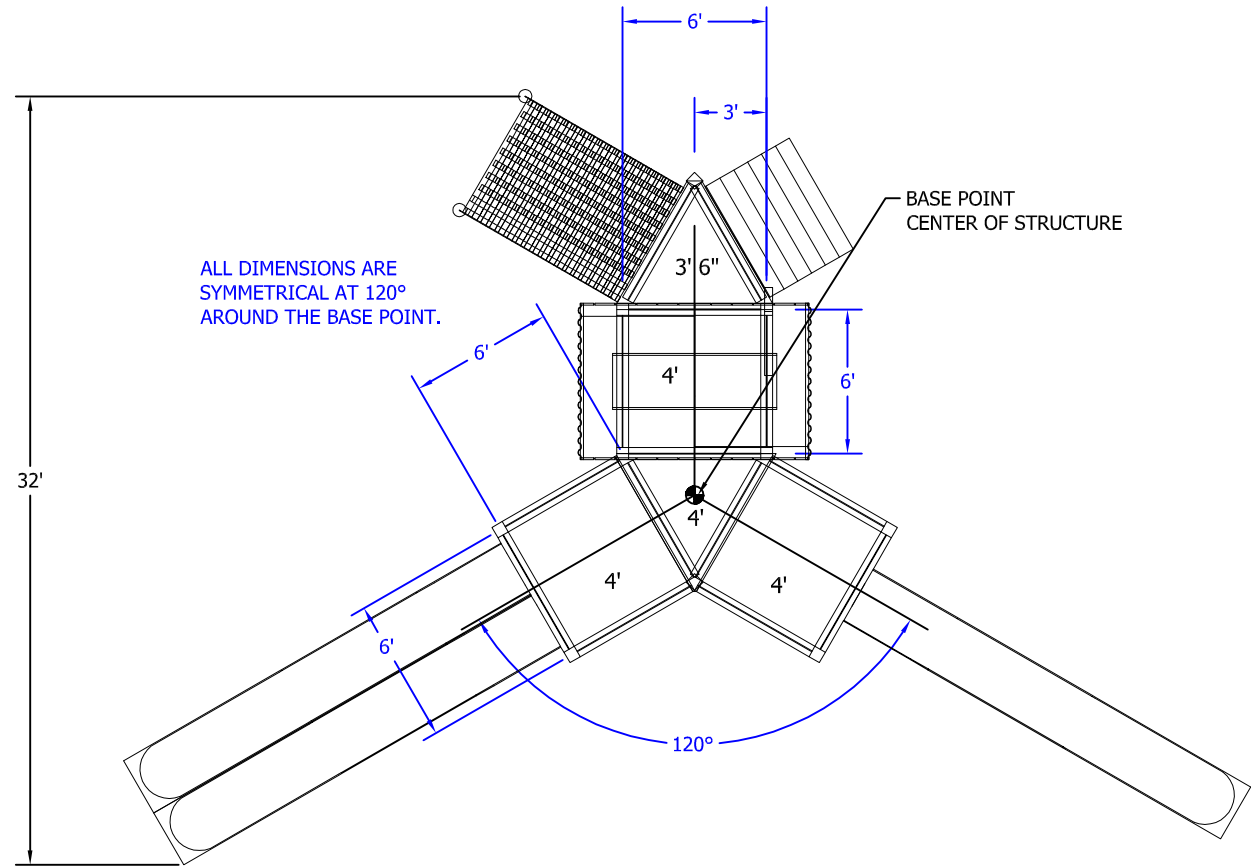


**PRELIMINARY**  
DO NOT BUILD TO



NOTES:

SLIDES ARE SHOWN FOR GRAPHIC REPRESENTATION  
PURPOSES ONLY. SITE-SPECIFIC SLIDE PATHS TBD. SLIDE  
FOOTINGS ALSO TBD.

**DRAWING NO. :** EDVPS-Plan

**JOB:** General

**DATE:** October 2005

**SCALE:** 1/8" = 1'

**DRAWN BY:** MDA

**ENDEAVOR SERIES  
PLAY STRUCTURES  
PLAN VIEW**

This document is the property of Wizard Works Product Development Company, Inc of Albany, New York and is confidential proprietary information. Consent of use of the information contained within this document implies use as reference only. Use of this information without the expressed written permission of Wizard Works is illegal, and will be prosecuted to the fullest extent of the law.



40 BROADWAY, ALBANY, NY. 12202