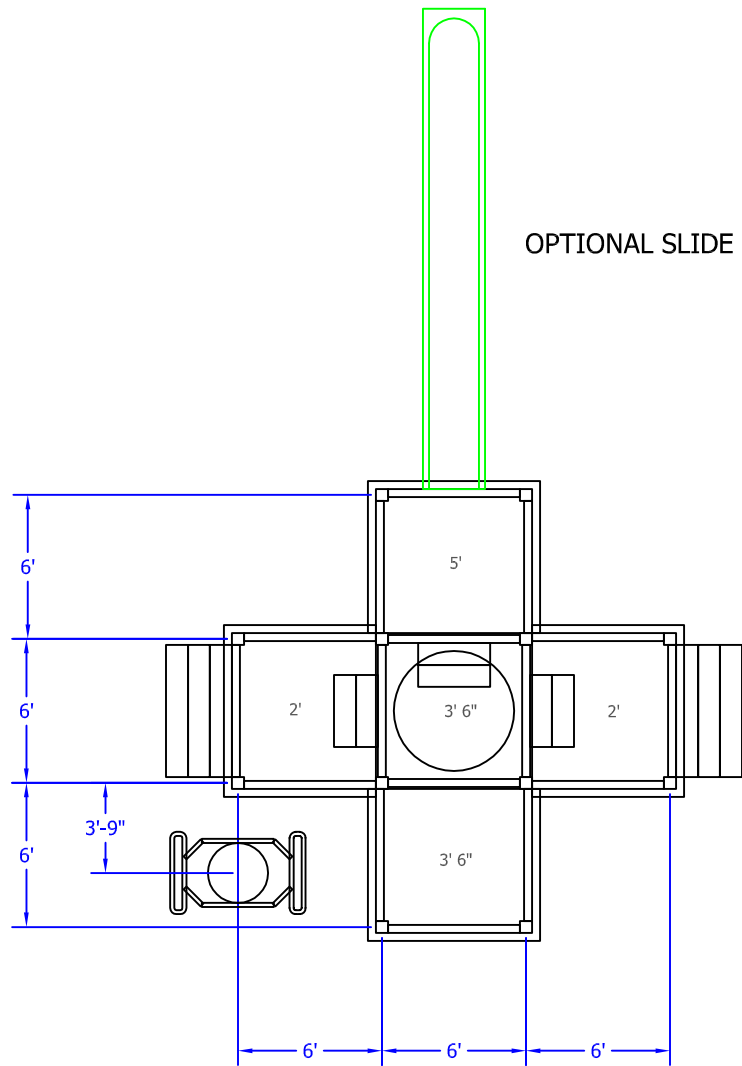


PRELIMINARY
DO NOT BUILD TO



OPTIONAL SLIDE

NOTES:

SLIDE IS SHOWN FOR GRAPHIC REPRESENTATION PURPOSES ONLY. SITE-SPECIFIC SLIDE PATH TBD. SLIDE FOOTINGS ALSO TBD.

DRAWING NO. : DPPS-Plan

JOB: General

DATE: October 2005

SCALE: 1/8" = 1'

DRAWN BY: MDA

DEPARTURE SERIES
PLAY STRUCTURES
PLAN VIEW

This document is the property of Wizard Works Product Development Company, Inc of Albany, New York and is confidential proprietary information. Consent of use of the information contained within this document implies use as reference only. Use of this information without the expressed written permission of Wizard Works is illegal, and will be prosecuted to the fullest extent of the law.



40 BROADWAY, ALBANY, NY. 12202