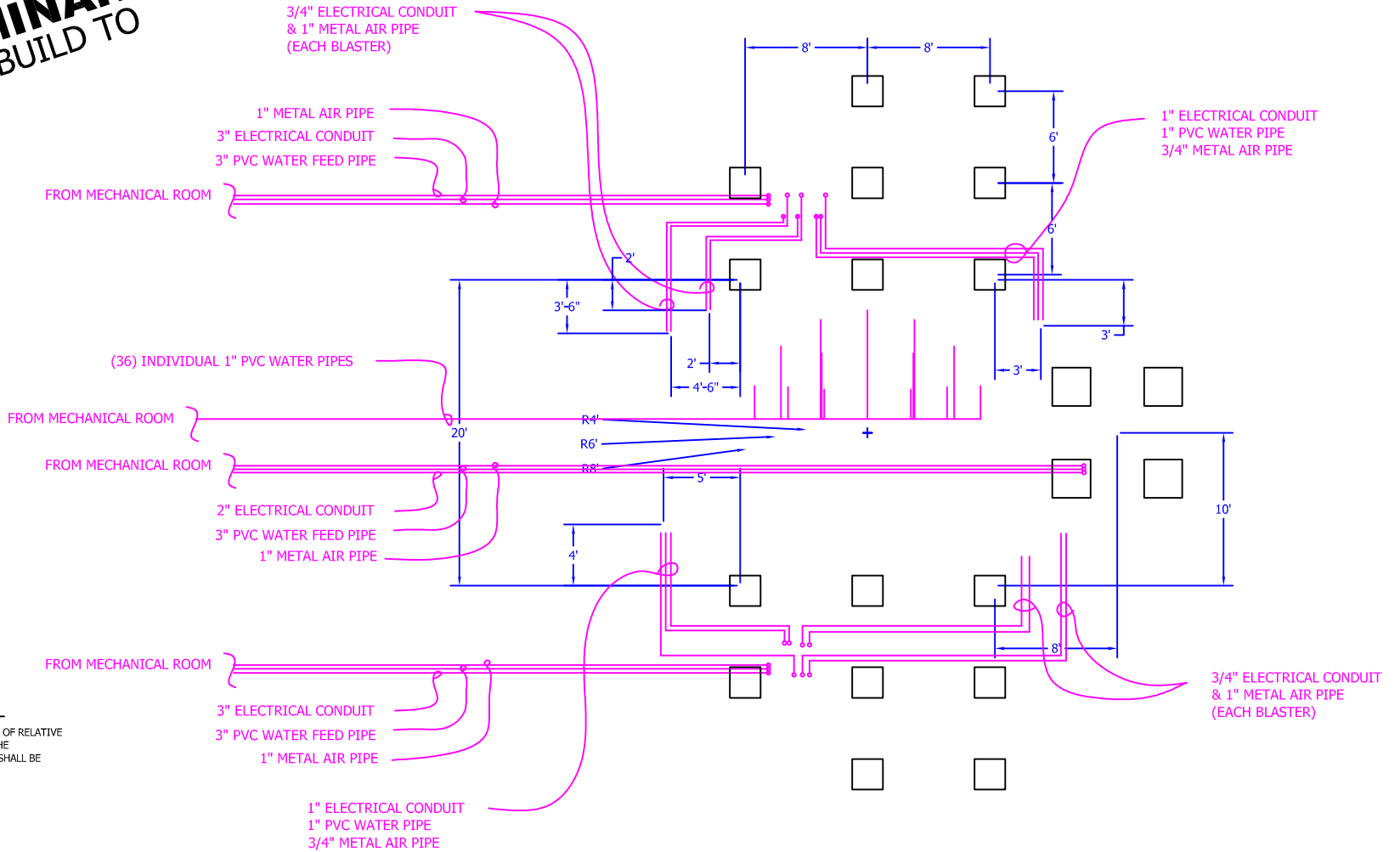


PRELIMINARY
DO NOT BUILD TO



NOTES:

ALL FOOTINGS SHOWN ARE FOR THE PURPOSES OF RELATIVE POSITIONING, AND ARE NOT ENGINEERED TO THE SITE-SPECIFIC BUILDING CODES. ALL FOOTING SHALL BE ENGINEERED BY OTHERS.

ALL STUB-UPS TO FINISH AT A MINIMUM OF 6" ABOVE FINISHED CONCRETE

DO NOT USE PVC FOR COMPRESSED AIR.

1,500 GPM @ 60 TDH PUMP

30 HP 127 CFM @90 PSI COMPRESSOR

LOW VOLTAGE SMART CONTROL WIRES TO BE PULLED THROUGH 3" CONDUIT AT TIME OF INSTALLATION OF INTERACTIVES.

DRAWING NO. : CHPS-BGP

JOB: General

DATE: October 2005

SCALE: 3/32" = 1'

DRAWN BY: MDA

CHALLENGER SERIES PLAY STRUCTURES BELOW-GRADE PROVISIONS

This document is the property of Wizard Works Product Development Company, Inc of Albany, New York and is confidential proprietary information. Consent of use of the information contained within this document implies use as reference only. Use of this information without the expressed written permission of Wizard Works is illegal, and will be prosecuted to the fullest extent of the law.



40 BROADWAY, ALBANY, NY. 12202